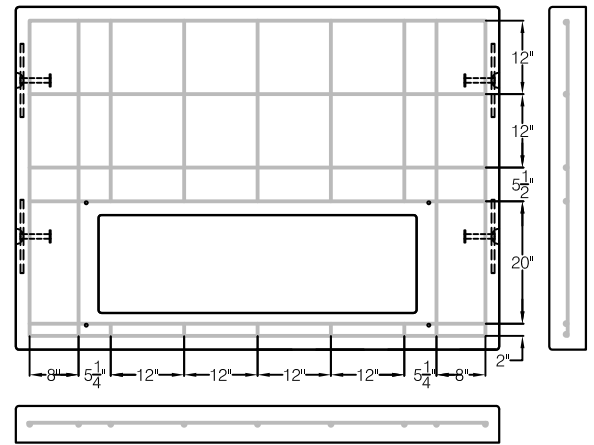
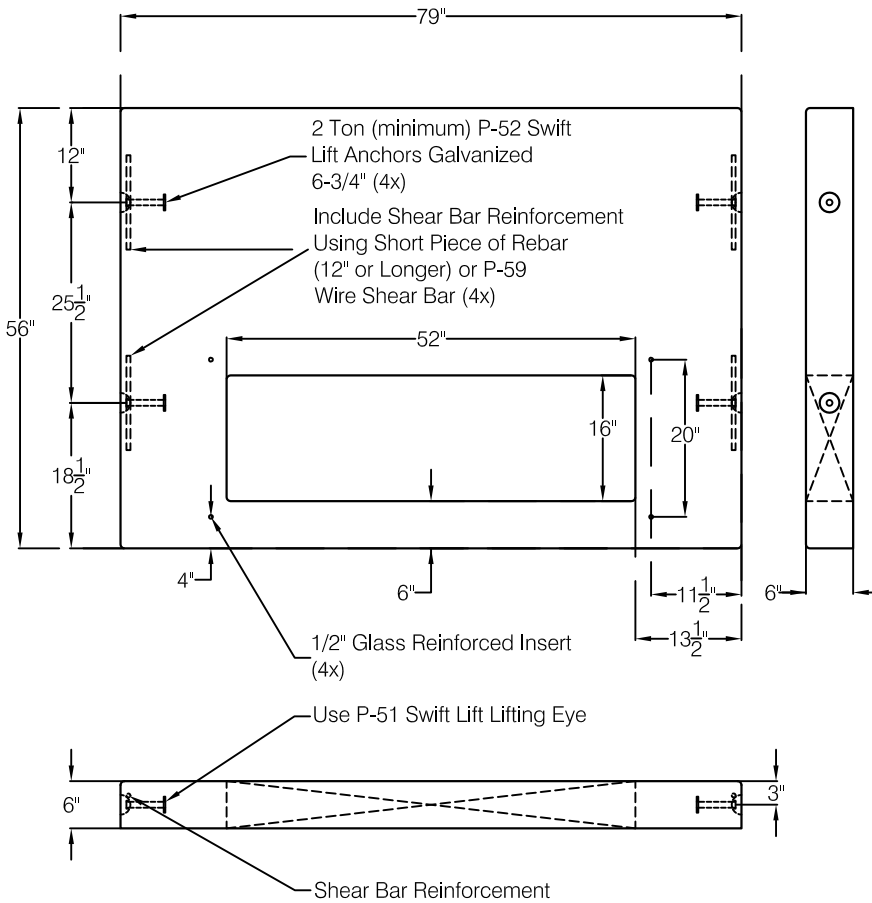
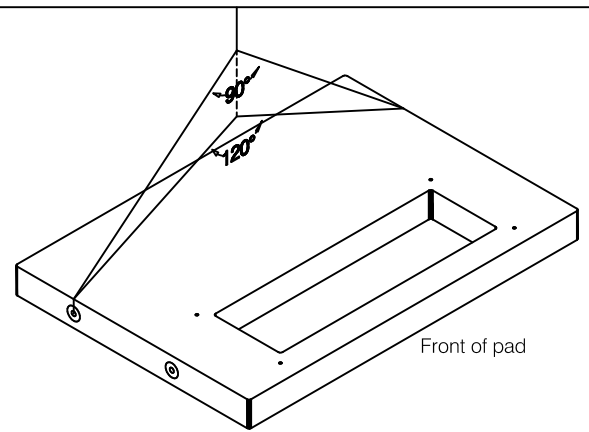


# Three $\phi$ Precast Transformer Pad (75-500 kVA)



#4 Rebar Centered in Pad Spaced as Shown



Pulling Angles to Remain Within Range of 90°-120° as Shown When lifting, personnel shall always utilize all four (4) lifting eyes

## MATERIAL REQUIREMENTS

- Dimensions shall be 79"x56"x6"
- Concrete shall have a minimum fire rating of 3 hours as well as moderate to exceptional sulfate resistance
- Type III Concrete with 3/4" aggregate and minimum concrete compressive strength of 4,500 psi
- Reinforcing #4 rebar steel shall have a minimum steel strength of 60,000 psi (Grade 60)
- To assure proper quality control and supervision, concrete pads shall be produced at a National Precast Concrete Association (NPCA) certified manufacturing plant. The manufacturer shall comply with the requirements set by the NPCA's Quality Control Manual for Precast Concrete Plants.

## INSTALLATION & CONSTRUCTION REQUIREMENTS

Space requirements for transformer pads will generally be 9' x 12'. Factors to be considered in locating the pad include the following.

- **ACCESSIBILITY** - The transformer pad shall be accessible to line boom trucks equipped for the installation and removal of heavy transformers. Such accessibility shall not require intrusion on adjacent property.
- **PROXIMITY OF BUILDINGS, WALLS, BARRIERS, AND/OR OVERHANGS** - In addition to the clearances required for installation and removal of transformers, the minimum clearance in front of the transformer pad shall be eight (8) feet and the minimum clearance from all other sides shall be three (3) feet. If the building has an overhang, clearance to the edge of the transformer pad shall be measured horizontally from the outer edge of the overhang.
- **CODES AND STANDARDS** - In addition to the above, the installation shall conform to the current National Electric Code (NEC) as well as current federal, state, and local standards as outlined in Fort Collins' Electric Construction Policies, Practices, and Procedures (ECPDP).

		<b>Material Specification</b>
<b>Date:</b> 07/25/2013	<b>Rev No:</b> 004	
<b>Drawn By:</b> J Spaulding	<b>Appr By:</b> K Bader	
<b>Precast Three <math>\phi</math> Transformer Pad Design:</b> 75-500 kVA		
<b>Specification No:</b> 368-400	<b>Serial No:</b> 01	