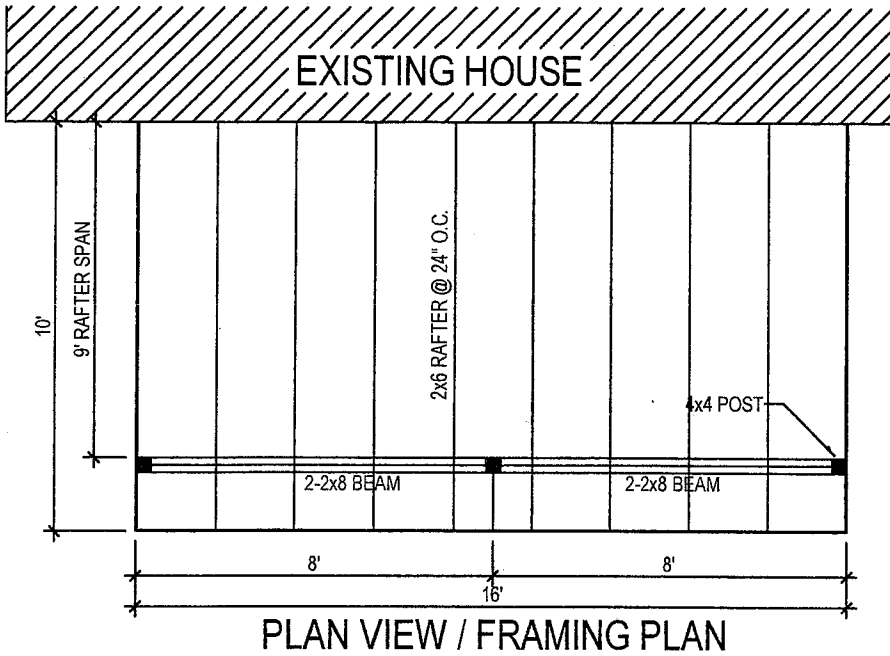


RESIDENTIAL PATIO COVER HANDOUT - 2009 IRC

REVISED 2/10/11

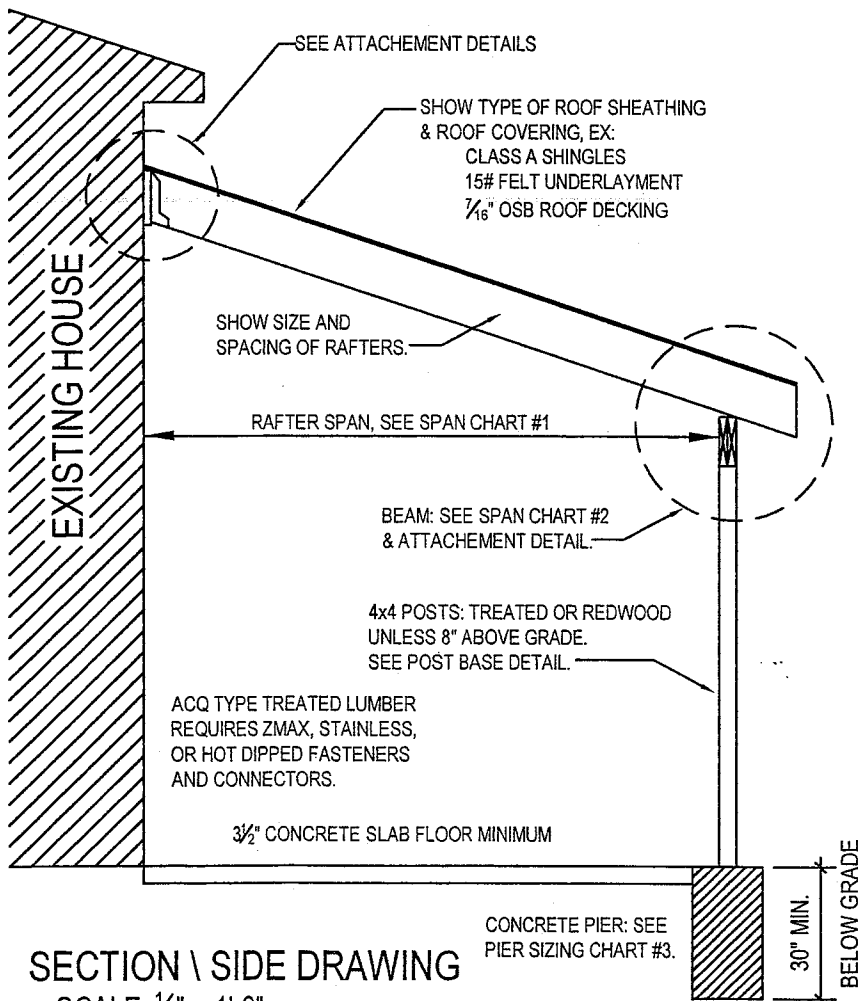


RAFTER SPAN CHARTS, table R802.5.1(5), hem fir #2, 30psf live, 10psf dead

	12" O.C.	16" O.C.	19.2" O.C.	24" O.C.
2x4	8'-0"	7'-3"	6'-10"	6'-4"
2x6	12'-7"	11'-5"	10'-9"	9'-7"
2x8	16'-7"	14'-11"	13'-7"	12'-2"
2x10	21'-0"	18'-2"	16'-7"	14'-10"
2x12	24'-4"	21'-1"	19'-3"	17'-3"

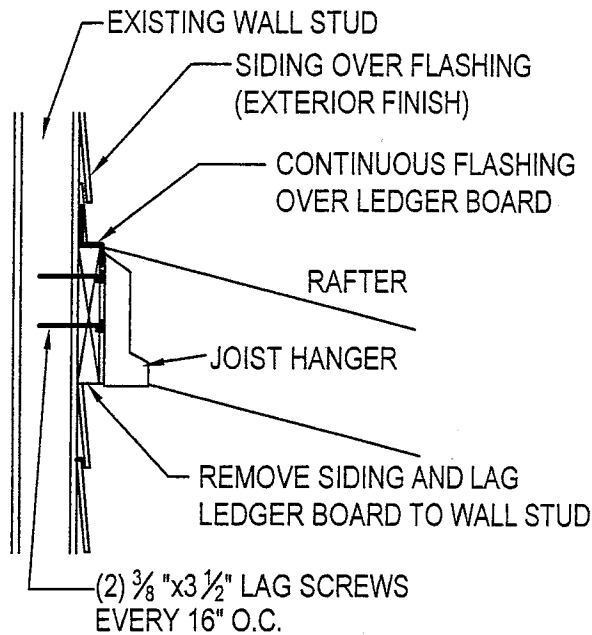
BEAM SPAN IN FEET-CHART #2

	6'	8'	10'	12'
8'	2-2x6	2-2x8	2-2X10	2-2X12
9'	2-2x6	2-2x8	2-2X10	2-2X12
10'	2-2x6	2-2x8	2-2X10	2-2X12
11'	2-2x6	2-2x8	2-2X10	2-2X12
12'	2-2x8	2-2X10	2-2X12	2-2X12
13'	2-2x8	2-2X10	2-2X12	3-2X12
14'	2-2x8	2-2X10	2-2X12	3-2X12
15'	2-2x8	2-2X10	2-2X12	3-2X12
16'	2-2x8	2-2X10	2-2X12	3-2X12
17'	2-2x8	2-2X10	2-2X12	3-2X12
18'	2-2x8	2-2X10	2-2X12	3-2X12

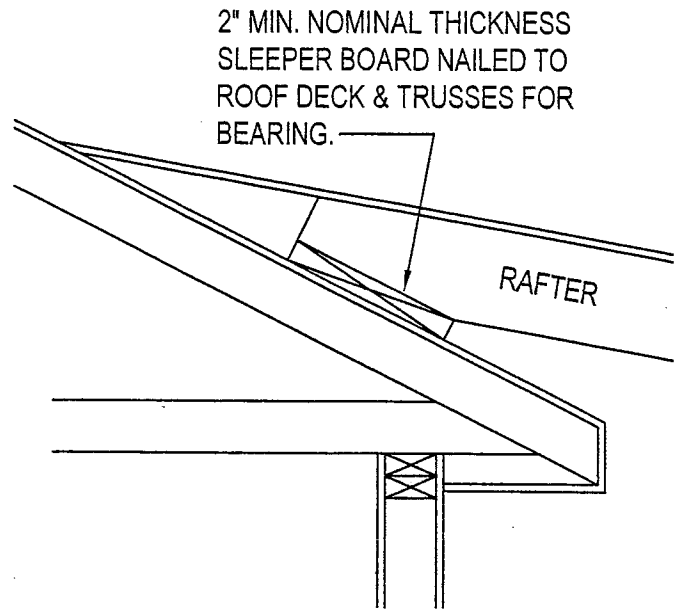


30" DEEP CONCRETE PIER SIZING-CHART #3

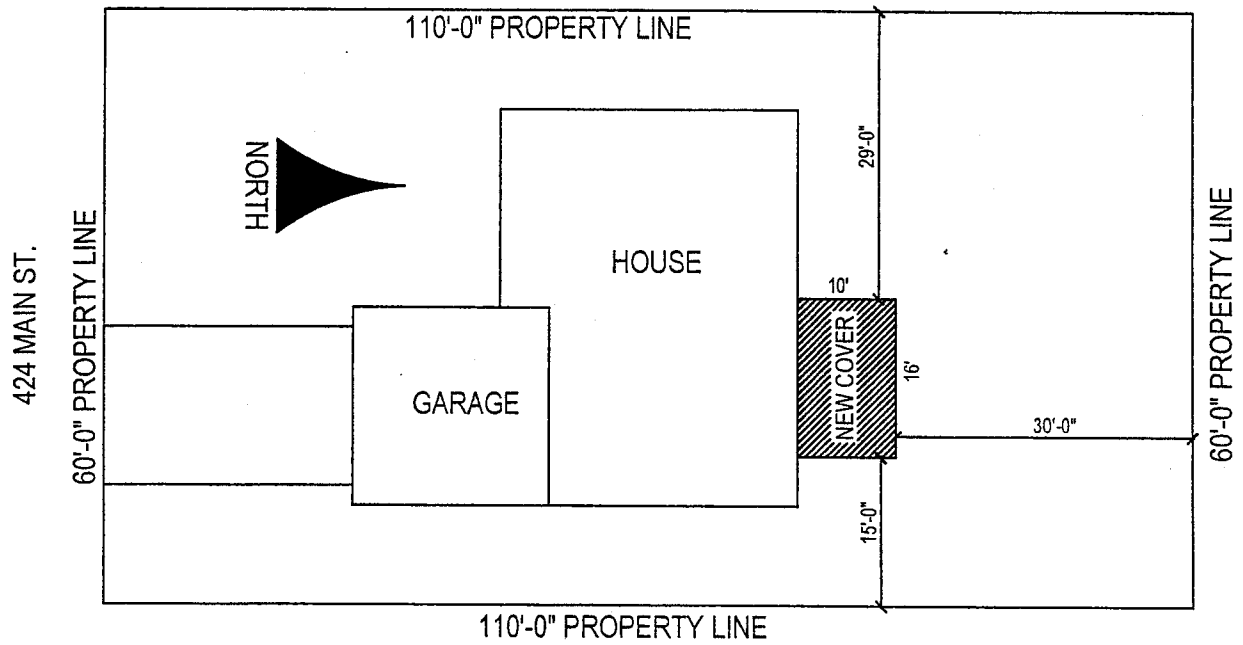
	BEAM SPAN			
	6'	8'	10'	12'
8'	8"	10"	10"	10"
9'	8"	10"	10"	10"
10'	10" DIAMETER PIER			
11'				
12'	10"	10"	10"	12"
13'	10"	10"	10"	12"
14'	10"	10"	12"	12"
15'	10"	10"	12"	12"
16'	10"	10"	12"	12"
17'	10"	12"	12"	12"
18'	10"	12"	12"	12"



LEDGER BOARD ATTACHMENT



ROOF DECK ATTACHMENT



SAMPLE SITE PLAN SCALE 1"=20'

Submittal Requirements for Patio Covers

1. **Two** sets of plans of the proposed patio cover. **See the front page as an example of the plans you will need to submit.** Engineering is required for buildings projects with structural spans beyond the charts shown, the remainder of the plans *do not* have to be professionally drawn, nor computer generated, but must be neat, clean and legible.
2. **Two** sets of site plans, drawn to scale, on paper no bigger than 8 1/2" x 14", see example above.
3. Completed three-part application form, available with other Building and Zoning handouts at 281 N. College Ave or on the website www.fcgov.com The legal information requested on the application must be completed in full.
4. Completed Homeowner's Affidavit, if applicable (for homeowners doing the construction). The form is available at Building and Zoning, 281 N. College Ave.

Required inspections:

1. Pier hole inspection
2. Rough frame inspection
3. Final inspection